

IN THE UNITED STATES PATENT AND TRADEMARK OFFICE

In re Application of: Gregory ELLIS Confirmation No.:

Serial No.: 17/555,763 Group No.:

Filing or 371(c) Date: 20 December 2021 Examiner: RAYMOND J HENLEY III

Entitled: Delivery System For Ayahuasca-Like Substances

THIRD-PARTY PRE-ISSUANCE SUBMISSION

Examiner:

The following documents, which are also identified in the Form PTO/SB/429 filed herewith, are submitted for your consideration as being of potential relevance to the examination of the present application:

1. BLACK (2018) "New on the Black Market: Vape Pens Full of DMT" The Stranger. URL: <https://www.thestranger.com/features/2018/08/15/30763161/new-on-the-black-market-vape-pens-full-of-dmt>
2. U.S. Pat. Doc. No. US20200178616 "Vaporization Device" (Published June 11 2020).
3. VAPE RANKS "What Is the Battery Threading?" Retrieved from 01 July 2014. URL: <https://web.archive.org/web/20140701164301/https://vaperanks.com/what-is-the-battery-threading/>
4. O2VAPE "Clear 510 Wickless Ceramic Cartridges" Retrieved from 11 September 2019. URL: <https://web.archive.org/web/20190911045236/https://o2vape.com/product/clear-wickless-cartridges/>
5. Intl. Pat. Doc. No. WO2020157569 "METHODS AND COMPOSITIONS COMPRISING A 5HT RECEPTOR AGONIST FOR THE TREATMENT OF PSYCHOLOGICAL, COGNITIVE, BEHAVIORAL, AND/OR MOOD DISORDERS" (Filed 29 January 2020; Published 6 August 2020)
6. Reddit user iaagm "eCig DMT: A Comprehensive Guide" Published 26 July 2016. URL: https://www.reddit.com/r/DMT/comments/4ut5zw/ecig_dmt_a_comprehensive_guide/
7. U.S. Pat. Doc. No. US20080241255 "Device and method for delivery of a medicament" (Published 2 October 2008)

Attached hereto is a claim chart providing a concise description of the relevance of each reference in the document list to the elements of the presently pending claims.

17/555,763 Pending Claims	References
<p>21. A method for delivering an ayahuasca-like substance, wherein the method comprises heating a vaporizable formulation comprising the ayahuasca-like substance to vaporize at least a portion of the vaporizable formulation.</p>	<p>From application of interest 17/555,763 claim 37 “The method of claim 21 wherein the ayahuasca-like substance or vaporizable formulation comprises one or more of dimethyltryptamine, a monoamine oxidase inhibitor, 5-methoxy-N, N-dimethyltryptamine, or 2-5-dimethoxy-4-bromophenethylamine.”</p> <p>1. BLACK (2018) “New on the Black Market: Vape Pens Full of DMT” The Stranger. URL: https://www.thestranger.com/features/2018/08/15/30763161/new-on-the-black-market-vape-pens-full-of-dmt</p> <p>From page 1 “The first time I heard about vape pens filled with DMT, I was completely dumbfounded.</p> <p>I was at a bar in Fremont with a friend when, after a few drinks, he mentioned that he had recently bought a vaporizer cartridge filled with the drug.”</p> <p>From page 3 “I sat back down and quickly put the vape pen to my mouth, not letting myself contemplate what I was about to do. I held the button down and started to breathe in deeply. The hit tasted horrible, like burnt oil and burning rubber mixed with the stale smell of an old person's house. I exhaled a thick cloud and waited.”</p> <p>2. U.S. Pat. Doc. No. US20200178616 “Vaporization Device” (Published June 11 2020).</p> <p>From paragraph [0004] “A vaporization device, or a vaporizer, is used to vaporize a substance for inhalation. A typical vaporization device includes a reservoir for containing a vaporizable material which is a dry-herb, a wax, a oil or a liquid, and a heater which is arranged for being actuated to heat the vaporizable material to generate an inhalable vapor. When the vaporizable material is tobacco, the vaporization device can be an electronic cigarette that simulates the feeling of smoking without actually burning tobacco. The vaporizable material also can be a drug such as nicotine, cannabine, tetrahydrocannabinol, and DMT(N,N-Dimethyltryptamine), so that the vaporization device also can serve as a drug inhalation device for medical use.”</p> <p>From paragraph [0027] “FIG. 1A is a perspective view of a vaporization device according to a preferred embodiment of the present invention.”</p> <p>Fig 1A/1B</p>

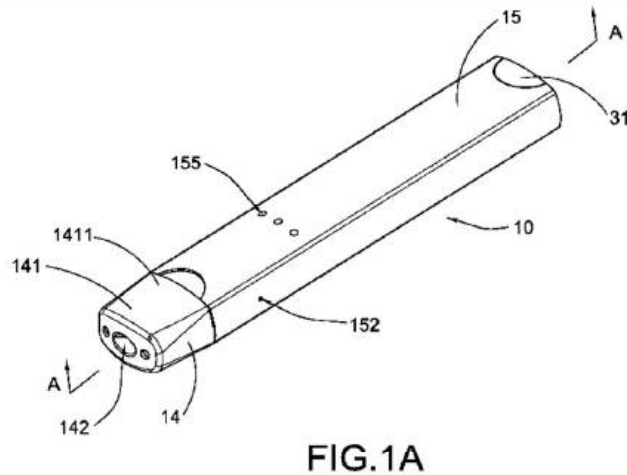


FIG. 1A

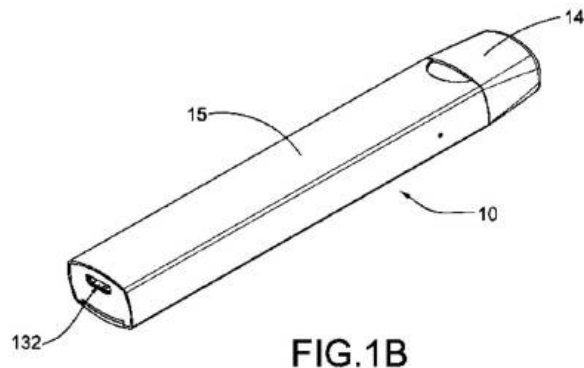


FIG. 1B

7. U.S. Pat. Doc. No. US20080241255 “Device and method for delivery of a medicament” (Published 2 October 2008)

From **claim 34** “ A method of delivering a medicament to a subject by **inhalation** the, method comprising the steps of:

- a) first placing a gaseous carrier comprising a delivery enhancing compound in communication with a medicament source comprising the medicament, and
- b) second providing the gaseous carrier comprising the medicament to a subject.”

From **claim 35** “The method of claim 34 wherein the medicament is selected from the group consisting of...dimethyltryptamine... 5-Methoxy-N,N-dimethyltryptamine...”

From **paragraph [0091]** “In some embodiments, the disclosure relates to a **method for delivering a medicament to a user, the method comprising:** passing a gaseous stream over a first substance to **create a first vapor-**

	<p>containing gaseous stream; passing the first vapor-containing gaseous stream over a second substance to create particles in the gaseous stream; and delivering the gaseous stream containing the particles to a user”</p> <p>From paragraph [0135] ““Particle” as used herein may refer to a liquid droplet, a solid particulate or a combination of both, such as a liquid droplet nucleated by a solid particulate.”</p> <p>From paragraph [0236] “This exemplary device is illustrated and described by reference to FIGS. 4-6. In FIG. 4, the elements of the device are shown in an assembly flow chart. The delivery enhancing compound source 30 and the nicotine source 40 are optionally manufactured and stored as independent components generally having frangible barrier end caps 35 and 45 heat sealed on the ends. These two elements 30 and 40 are inserted into a first housing 50. First housing 50, containing delivery enhancing compound source 30 and the nicotine source 40, is then inserted into a second housing 100. The housings 50 and 100 and the elements 30 and 40 are generally extruded plastic tubing. Also inserted into second housing 100 is heating element 95. The heating element 95 is generally a thin flexible heating foil which is configured to wrap around housing 50 and to contact housing 50 sufficiently to enable heating the delivery enhancing compound source 30 and/or the nicotine source 40 to a desired temperature (e.g. 40 degrees C.). Heating element 95 is also adapted to contact battery 130 to supply power to the heating foil element 95.”</p>
<p>22. The method of claim 21 wherein the vaporizable formulation is housed in a chamber comprising a top portion adapted for coupling to a mouthpiece wherein the top portion of the chamber comprises at least one aperture adapted to permit flow of air, liquid, solids, or vapor between the top portion of the chamber and the mouthpiece.</p>	<p>From application of interest 17/555,763 paragraph [0023]: “As used herein, a “chamber” refers to a device that holds a vaporizable formulation comprising an ayahuasca-like substance. A chamber is analogous to a “vape cartridge” well known in the art that may include a top portion connected to a mouthpiece, and a bottom portion connected to a battery or power supply that provides power to a heating element that may be present in the chamber that functions to heat the vaporizable formulation to produce vapor.”</p> <p>1. BLACK (2018) “New on the Black Market: Vape Pens Full of DMT” The Stranger. URL: https://www.thestranger.com/features/2018/08/15/30763161/new-on-the-black-market-vape-pens-full-of-dmt</p> <p>From page 1 “The first time I heard about vape pens filled with DMT, I was completely dumbfounded.</p> <p>I was at a bar in Fremont with a friend when, after a few drinks, he mentioned that he had recently bought a vaporizer cartridge filled with the drug.”</p>

From **page 3** “I sat on the futon couch wedged into the corner of my bedroom and held the cartridge of DMT in front of me. **I reached for my weed vape pen, unscrewed the cartridge filled with pot, and replaced it with the cartridge filled with DMT.** I held the pen in my hand, ready to bring it to my mouth, but I was nervous and alone, and I let my arm fall to my side without taking a hit.”

From **page 3** “**I sat back down and quickly put the vape pen to my mouth,** not letting myself contemplate what I was about to do. **I held the button down and started to breathe in deeply.** The hit tasted horrible, like burnt oil and burning rubber mixed with the stale smell of an old person's house. **I exhaled a thick cloud and waited.**”

2. U.S. Pat. Doc. No. US20200178616 “Vaporization Device” (Published June 11 2020).

From **paragraph [0004]** “**A vaporization device, or a vaporizer, is used to vaporize a substance for inhalation.** A typical vaporization device includes a **reservoir for containing a vaporizable material which is a dry-herb, a wax, a oil or a liquid,** and a heater which is arranged for being actuated to heat the vaporizable material to generate an inhalable vapor. When the vaporizable material is tobacco, the vaporization device can be an electronic cigarette that simulates the feeling of smoking without actually burning tobacco. **The vaporizable material also can be a drug such as nicotine, cannabine, tetrahydrocannabinol, and DMT(N,N-Dimethyltryptamine), so that the vaporization device also can serve as a drug inhalation device for medical use.**”

Fig 1A/1B

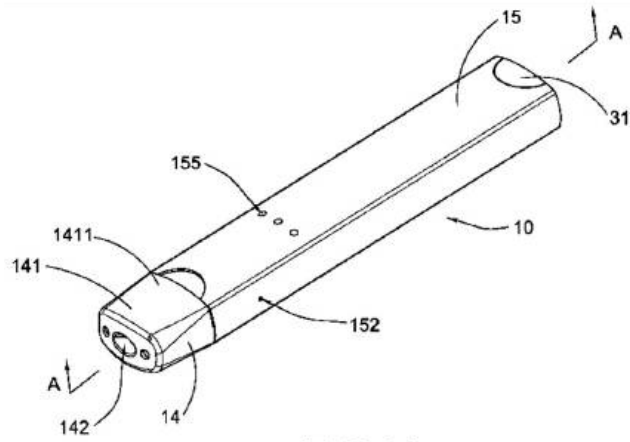


FIG. 1A

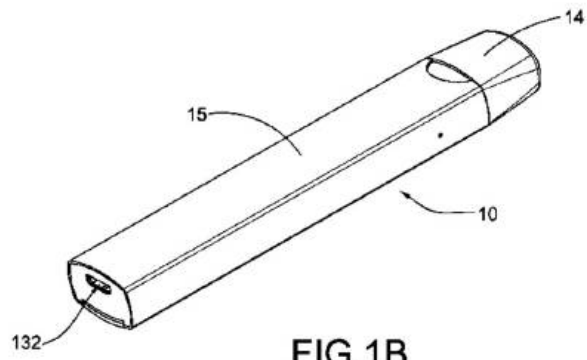


FIG. 1B

Fig 2A

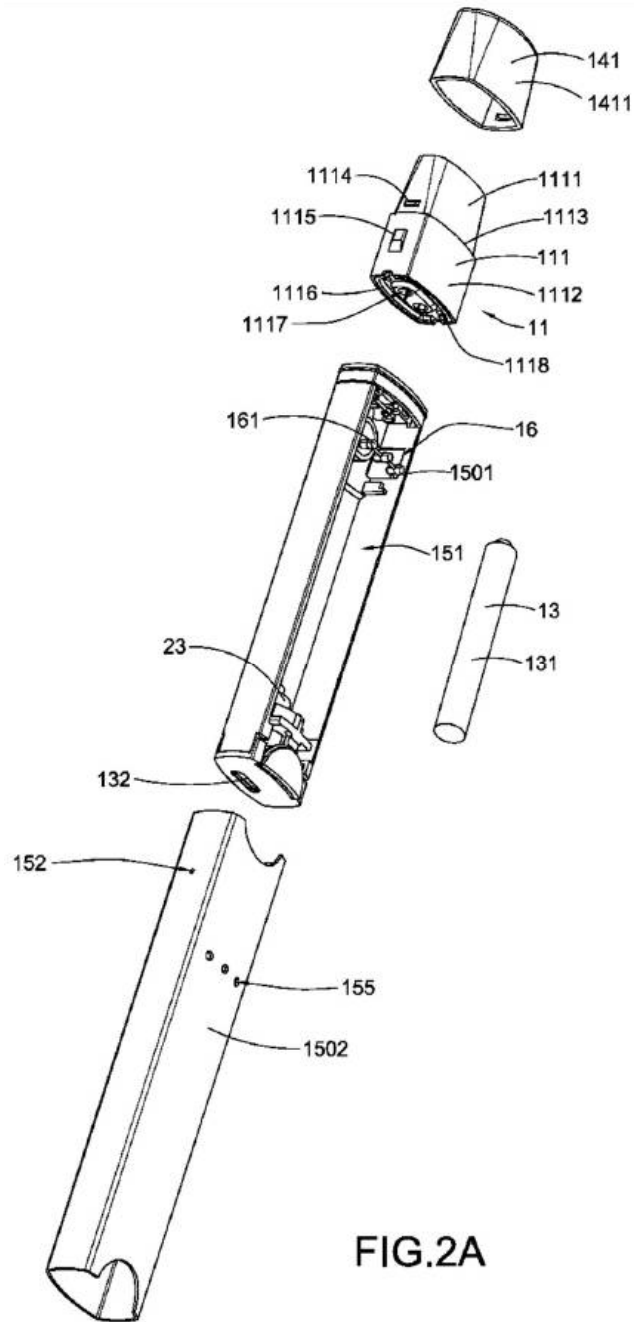


FIG.2A

From **paragraph [0056]** “Referring to **FIG. 2A** to **FIG. 3** of the drawings, according to this preferred embodiment, **the inhalation nozzle 14 is detachably mounted with the container 11**, so that the container 11 can be easy to be removed from the inhalation nozzle 14 and the housing 15 for replacing with a new container 11 containing a full amount of the vaporizable material when the vaporizable material in the old container 11 is exhausted. As an alternative mode, the inhalation nozzle 14 may be integrally formed with the container 11 to form an integral structure that is capable of being removed from the housing 15 for replacing with the new container 11.”

	<p>From paragraph [0057] “The inhalation nozzle 14 comprises a nozzle body 141 having an inhalation hole 142, and the vaporizer body 10 may further comprise a puff sensor. When the user keeps the inhalation nozzle 14 in his or her mouth and makes a suction action, the puff sensor can detect the air flow resulted from the suction action of the user and then the control module 21 is operated to actuate the atomizer 12 for heating the vaporizable material to produce the inhalable vapor that can be inhaled by the user through the inhalation hole 142. Alternatively, the vaporizer body 10 may not be provided with the puff sensor, and a switch may be provided for being operated for actuating the atomizer 12, and when the atomizer 12 is in operation, the user is able to inhale the inhalable vapor through the inhalation hole 142.”</p> <p>From paragraph [0024] “The vaporizer body comprises an inhalation nozzle defining an inhalation hole, a container which contains the vaporizable material; and an atomizer arranged for carrying out at least one single continual atomization process for producing the inhalable vapor which is available for inhalation through the inhalation hole.”</p>
<p>23. The method of claim 22 wherein the chamber comprises a mouthpiece coupled to the top portion of the chamber wherein the mouthpiece comprises a top aperture, a central open bore, a bottom portion comprising an aperture, and wherein the bottom portion of the mouthpiece is coupled to the top portion of the chamber.</p>	<p>2. U.S. Pat. Doc. No. US20200178616 “Vaporization Device” (Published June 11 2020).</p> <p>From paragraph [0004] “A vaporization device, or a vaporizer, is used to vaporize a substance for inhalation. A typical vaporization device includes a reservoir for containing a vaporizable material which is a dry-herb, a wax, a oil or a liquid, and a heater which is arranged for being actuated to heat the vaporizable material to generate an inhalable vapor. When the vaporizable material is tobacco, the vaporization device can be an electronic cigarette that simulates the feeling of smoking without actually burning tobacco. The vaporizable material also can be a drug such as nicotine, cannabine, tetrahydrocannabinol, and DMT(N,N-Dimethyltryptamine), so that the vaporization device also can serve as a drug inhalation device for medical use.”</p> <p>Fig 1A/1B</p>

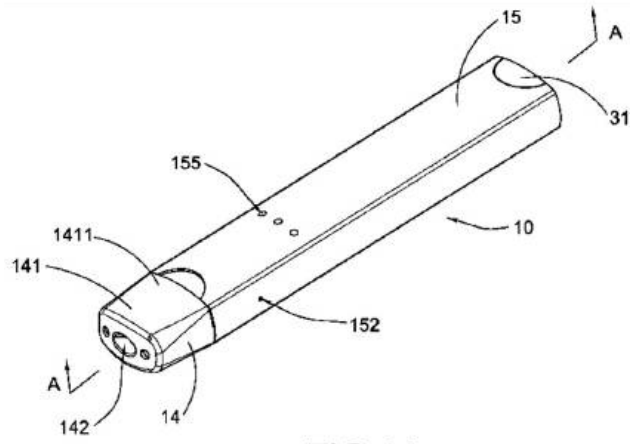


FIG. 1A

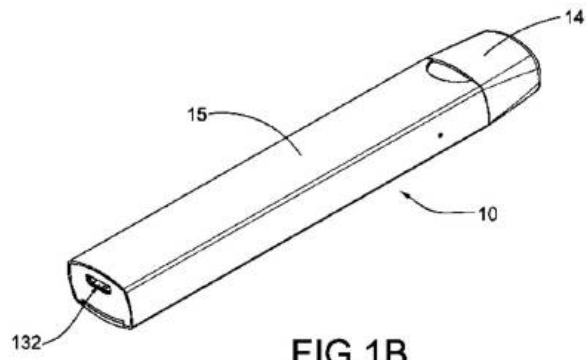


FIG. 1B

Fig 2A

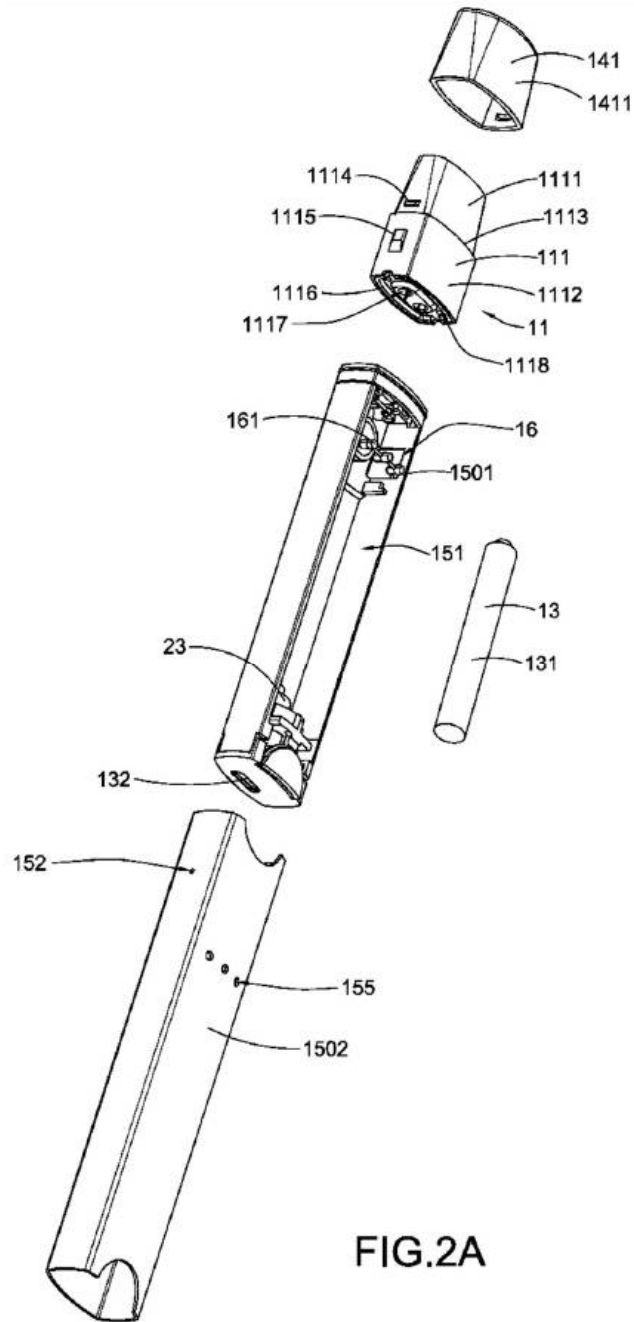


FIG.2A

From paragraph [0056] “Referring to FIG. 2A to FIG. 3 of the drawings, according to this preferred embodiment, **the inhalation nozzle 14 is detachably mounted with the container 11**, so that the container 11 can be easy to be removed from the inhalation nozzle 14 and the housing 15 for replacing with a new container 11 containing a full amount of the vaporizable material when the vaporizable material in the old container 11 is exhausted. As an alternative mode, the inhalation nozzle 14 may be integrally formed with the container 11 to form an integral structure that is capable of being removed from the housing 15 for replacing with the new container 11.”

	<p>From paragraph [0057] “The inhalation nozzle 14 comprises a nozzle body 141 having an inhalation hole 142, and the vaporizer body 10 may further comprise a puff sensor. When the user keeps the inhalation nozzle 14 in his or her mouth and makes a suction action, the puff sensor can detect the air flow resulted from the suction action of the user and then the control module 21 is operated to actuate the atomizer 12 for heating the vaporizable material to produce the inhalable vapor that can be inhaled by the user through the inhalation hole 142. Alternatively, the vaporizer body 10 may not be provided with the puff sensor, and a switch may be provided for being operated for actuating the atomizer 12, and when the atomizer 12 is in operation, the user is able to inhale the inhalable vapor through the inhalation hole 142.”</p> <p>From paragraph [0024] “The vaporizer body comprises an inhalation nozzle defining an inhalation hole, a container which contains the vaporizable material; and an atomizer arranged for carrying out at least one single continual atomization process for producing the inhalable vapor which is available for inhalation through the inhalation hole.”</p>
<p>24. The method of claim 23 wherein the chamber comprises at least one seal situated between the bottom portion of the mouthpiece comprising an aperture and the top portion of the chamber.</p>	<p>2. U.S. Pat. Doc. No. US20200178616 “Vaporization Device” (Published June 11 2020).</p> <p>From Figure 12</p>

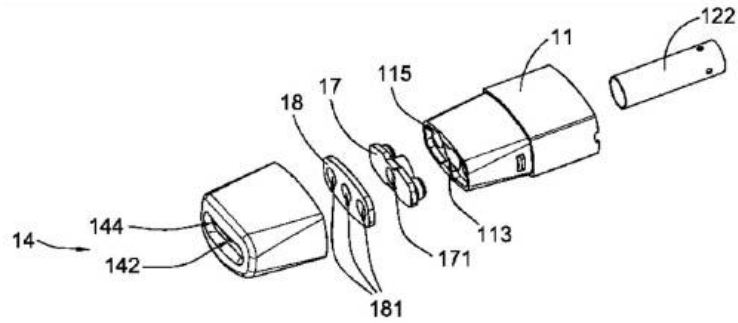


FIG.12

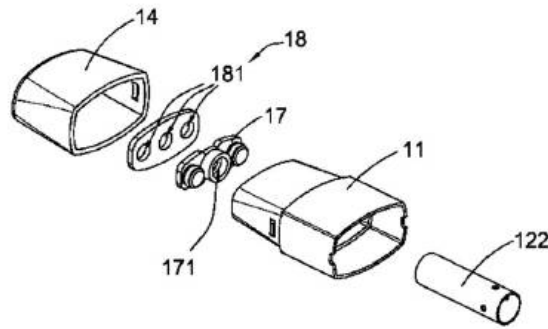


FIG.13

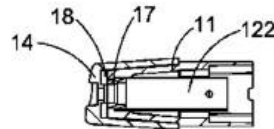


FIG.14

From paragraph [0063] “Further, in this embodiment, the vaporizer body 10 comprises a barrier 17 arranged between the first refueling holes 144 and the second refueling holes 115 to prevent the vaporizable material from leaking to the mouth of the user because of the suction action. The barrier 17 is arranged to cover the second refueling holes 115 to block the connect between the first refueling holes 144 and the second refueling holes 115.”

25. The method of claim 23 wherein the mouthpiece is releasably coupled to the top portion of the chamber.

2. U.S. Pat. Doc. No. US20200178616 "Vaporization Device" (Published June 11 2020).

From paragraph [0004] "A vaporization device, or a vaporizer, is used to vaporize a substance for inhalation. A typical vaporization device includes a reservoir for containing a vaporizable material which is a dry-herb, a wax, a oil or a liquid, and a heater which is arranged for being actuated to heat the vaporizable material to generate an inhalable vapor. When the vaporizable material is tobacco, the vaporization device can be an electronic cigarette that simulates the feeling of smoking without actually burning tobacco. The vaporizable material also can be a drug such as nicotine, cannabine, tetrahydrocannabinol, and DMT(N,N-Dimethyltryptamine), so that the vaporization device also can serve as a drug inhalation device for medical use."

Fig 1A/1B

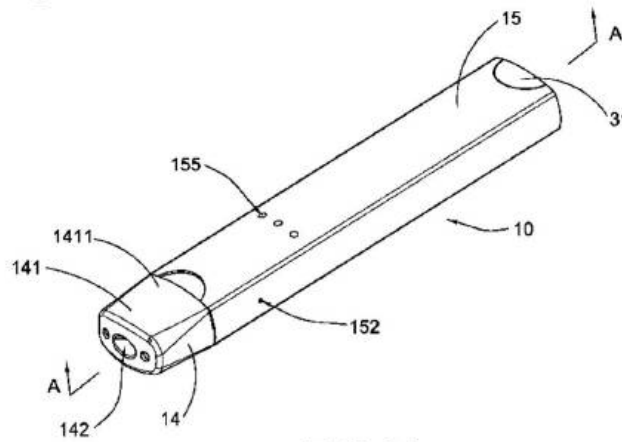


FIG. 1A

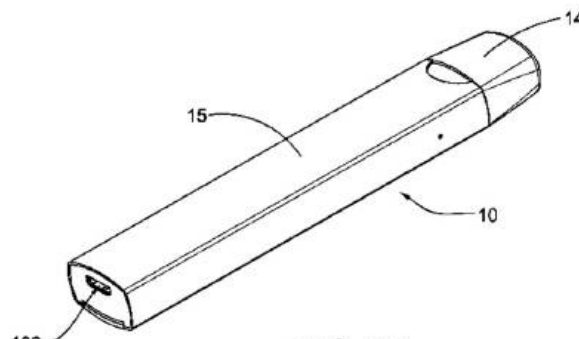


FIG. 1B

Fig 2A

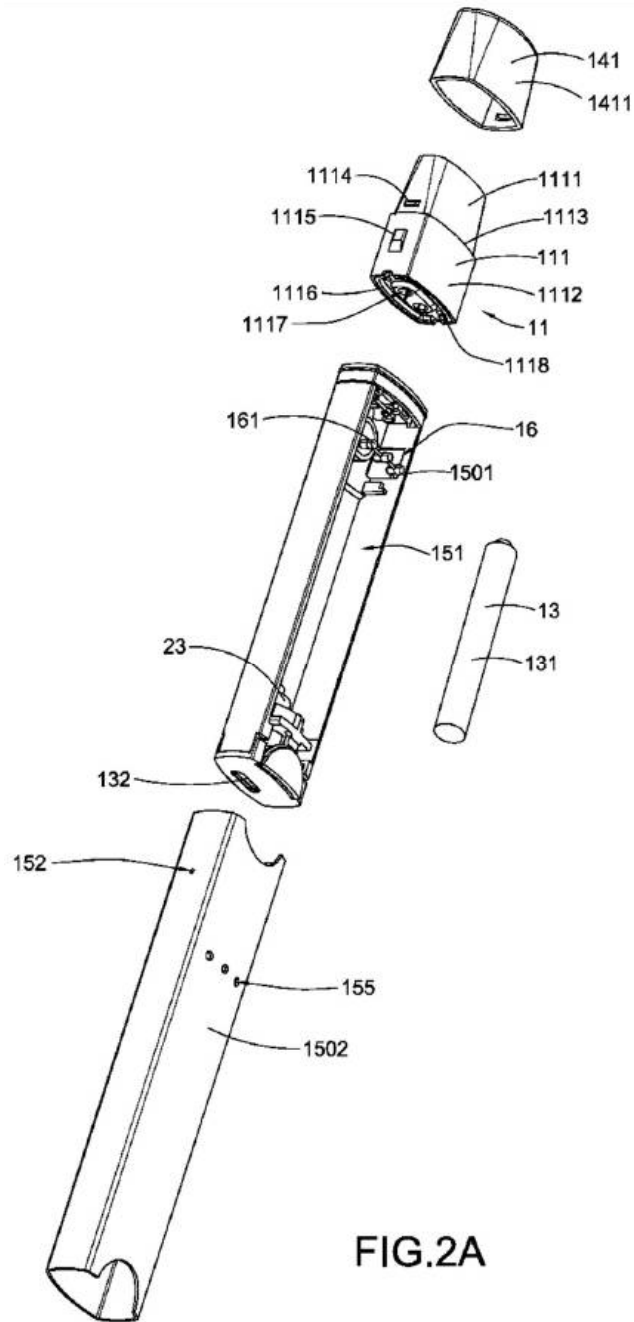


FIG.2A

From paragraph [0056] “Referring to FIG. 2A to FIG. 3 of the drawings, according to this preferred embodiment, **the inhalation nozzle 14 is detachably mounted with the container 11**, so that the container 11 can be easy to be removed from the inhalation nozzle 14 and the housing 15 for replacing with a new container 11 containing a full amount of the vaporizable material when the vaporizable material in the old container 11 is exhausted. As an alternative mode, the inhalation nozzle 14 may be integrally formed with the container 11 to form an integral structure that is capable of being removed from the housing 15 for replacing with the new container 11.”

<p>26. The method of claim 23 wherein the mouthpiece is lockably coupled to the top portion of the chamber.</p>	<p>From the application of interest 17/555,763 paragraph [0026] “As used herein, “lockably coupled” refers to components that are not intended to be removed by an end-using consumer. For illustrative purposes, a mouthpiece that is lockably coupled to a chamber is not intended to be removed. Lockably coupled chambers are intended for single-use and are meant to be discarded following vaporization of all the vaporizable formulation present in a chamber.”</p> <p>2. U.S. Pat. Doc. No. US20200178616 “Vaporization Device” (Published June 11 2020).</p> <p>From paragraph [0004] “A vaporization device, or a vaporizer, is used to vaporize a substance for inhalation. A typical vaporization device includes a reservoir for containing a vaporizable material which is a dry-herb, a wax, a oil or a liquid, and a heater which is arranged for being actuated to heat the vaporizable material to generate an inhalable vapor. When the vaporizable material is tobacco, the vaporization device can be an electronic cigarette that simulates the feeling of smoking without actually burning tobacco. The vaporizable material also can be a drug such as nicotine, cannabine, tetrahydrocannabinol, and DMT(N,N-Dimethyltryptamine), so that the vaporization device also can serve as a drug inhalation device for medical use.”</p> <p>Fig 1A/1B</p>
---	---

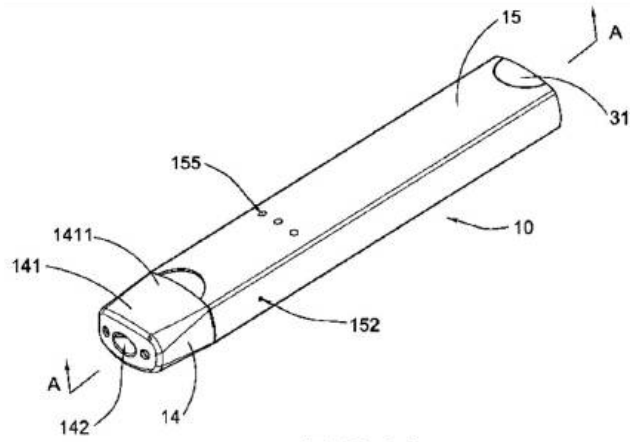


FIG. 1A

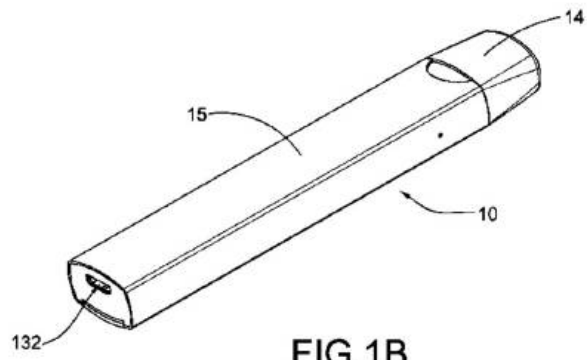


FIG. 1B

Fig 2A

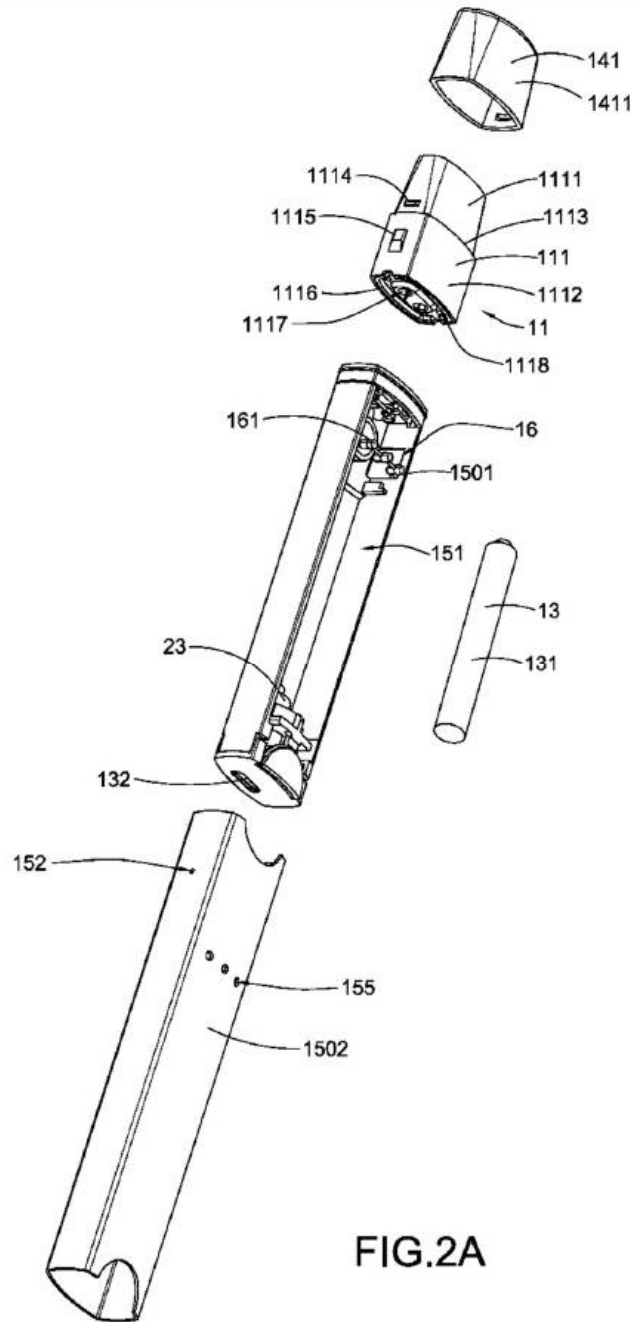


FIG.2A

From **paragraph [0056]** “Referring to FIG. 2A to FIG. 3 of the drawings, according to this preferred embodiment, the inhalation nozzle 14 is detachably mounted with the container 11, so that the container 11 can be easy to be removed from the inhalation nozzle 14 and the housing 15 for replacing with a new container 11 containing a full amount of the vaporizable material when the vaporizable material in the old container 11 is exhausted. **As an alternative mode, the inhalation nozzle 14 may be integrally formed with the container 11 to form an integral structure that is capable of being removed from the housing 15 for replacing with the new container 11.**”

27. The method of claim 22 wherein the chamber comprises a bottom portion adapted for coupling to a power unit capable of providing power to vaporize the vaporizable formulation.

2. U.S. Pat. Doc. No. US20200178616 “Vaporization Device” (Published June 11 2020).

From paragraph [0004] “A vaporization device, or a vaporizer, is used to vaporize a substance for inhalation. A typical vaporization device includes a reservoir for containing a vaporizable material which is a dry-herb, a wax, a oil or a liquid, and a heater which is arranged for being actuated to heat the vaporizable material to generate an inhalable vapor. When the vaporizable material is tobacco, the vaporization device can be an electronic cigarette that simulates the feeling of smoking without actually burning tobacco. **The vaporizable material also can be a drug such as nicotine, cannabine, tetrahydrocannabinol, and DMT(N,N-Dimethyltryptamine), so that the vaporization device also can serve as a drug inhalation device for medical use.**”

Fig 1A/1B

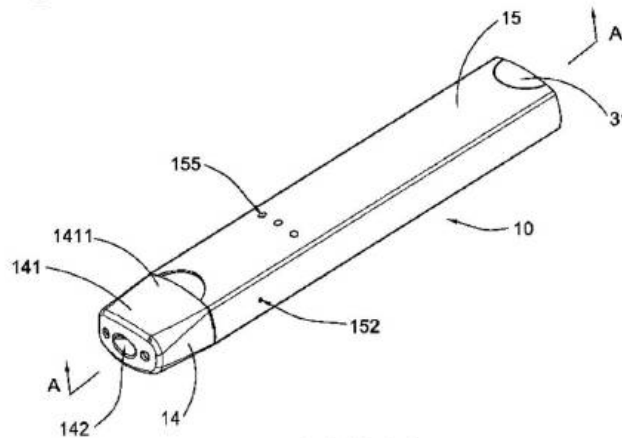


FIG. 1A

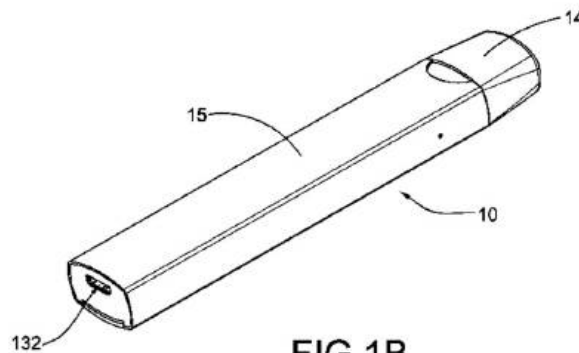


FIG. 1B

Fig 2A

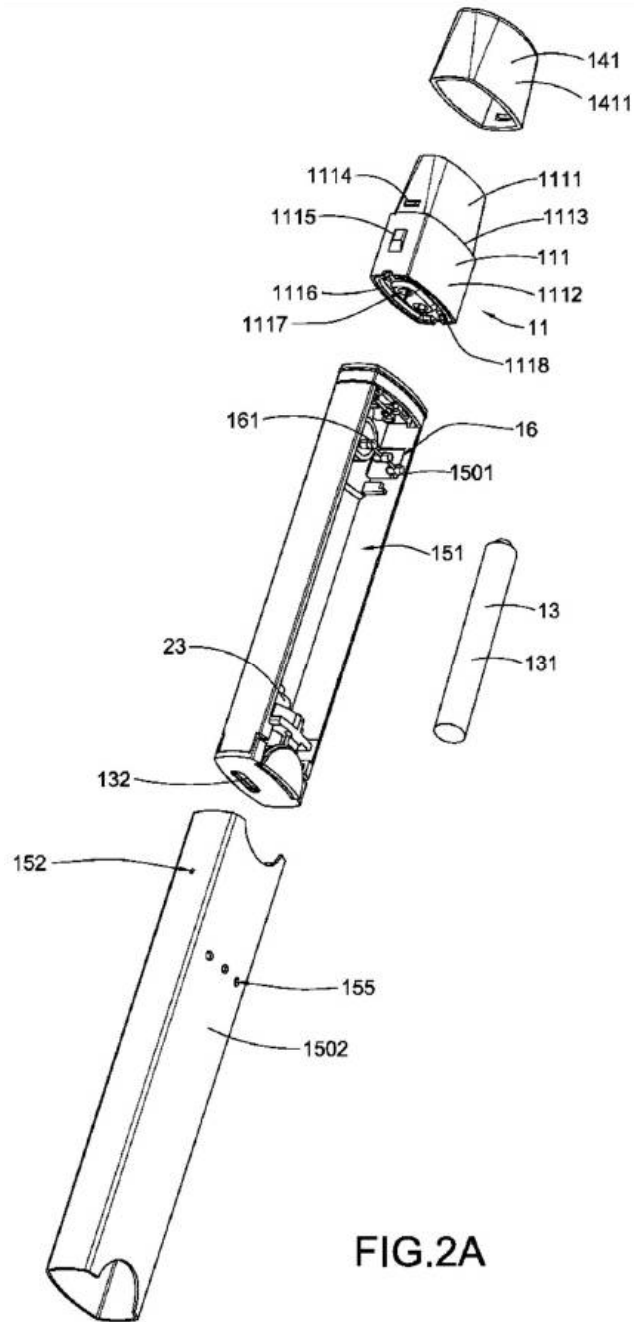


FIG.2A

From paragraph [0056] “Referring to FIG. 2A to FIG. 3 of the drawings, according to this preferred embodiment, **the inhalation nozzle 14 is detachably mounted with the container 11**, so that the container 11 can be easy to be removed from the inhalation nozzle 14 and the housing 15 for replacing with a new container 11 containing a full amount of the vaporizable material when the vaporizable material in the old container 11 is exhausted. As an alternative mode, the inhalation nozzle 14 may be integrally formed with the container 11 to form an integral structure that is capable of being removed from the housing 15 for replacing with the new container 11.”

	<p>From paragraph [0050] “More specifically, the vaporizer body 10 comprises a container 11 which stores a vaporizable material, an atomizer 12 for being actuated to heat the vaporizable material for generating the inhalable vapor, a power source 13 for providing an electricity power supply to the atomizer 12, a inhalation nozzle 14 for the user to inhale in the inhalable vapor, and a housing 15 which defines a receiving chamber 151 for receiving the power source 13.”</p>
<p>28. The method of claim 27 wherein the chamber is coupled to the power unit capable of providing power to vaporize the vaporizable formulation.</p>	<p>2. U.S. Pat. Doc. No. US20200178616 “Vaporization Device” (Published June 11 2020).</p> <p>From paragraph [0004] “A vaporization device, or a vaporizer, is used to vaporize a substance for inhalation. A typical vaporization device includes a reservoir for containing a vaporizable material which is a dry-herb, a wax, a oil or a liquid, and a heater which is arranged for being actuated to heat the vaporizable material to generate an inhalable vapor. When the vaporizable material is tobacco, the vaporization device can be an electronic cigarette that simulates the feeling of smoking without actually burning tobacco. The vaporizable material also can be a drug such as nicotine, cannabine, tetrahydrocannabinol, and DMT(N,N-Dimethyltryptamine), so that the vaporization device also can serve as a drug inhalation device for medical use.”</p> <p>Fig 1A/1B</p>

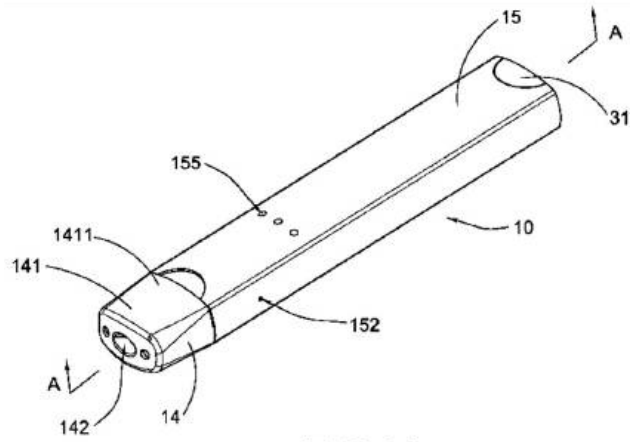


FIG. 1A

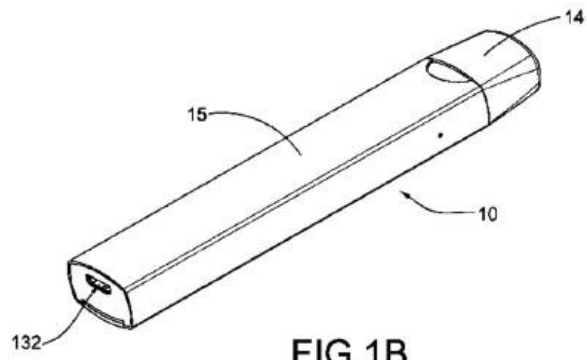
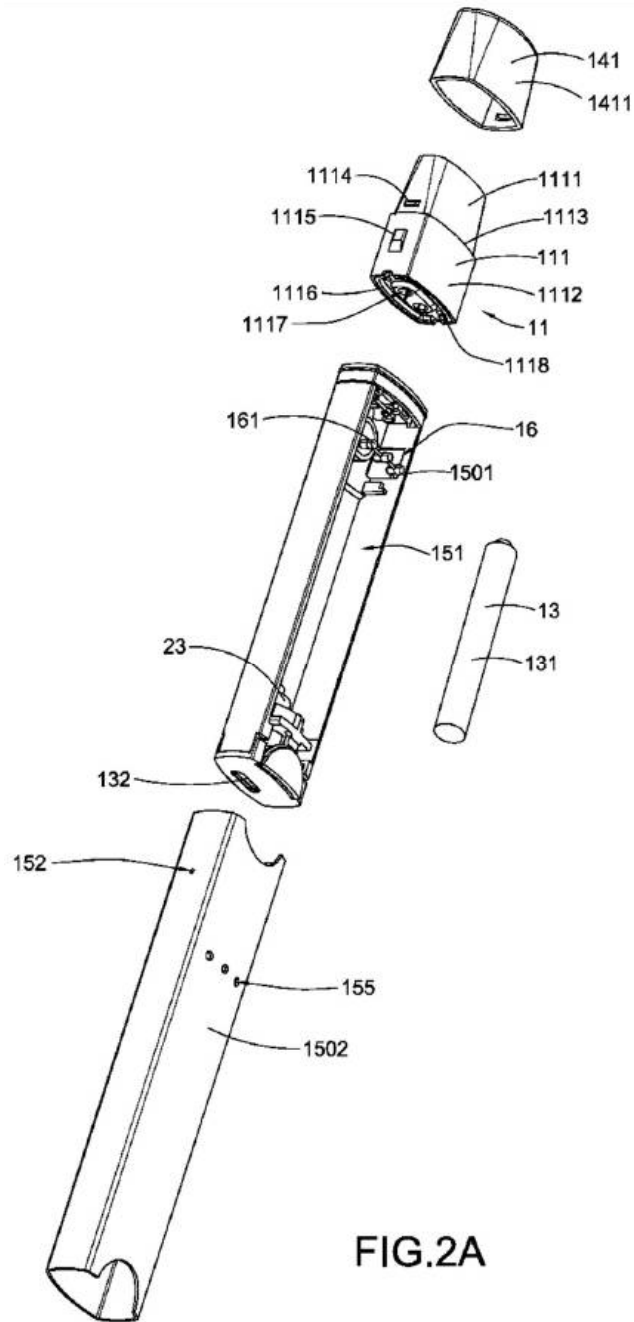


FIG. 1B

Fig 2A



From **paragraph [0056]** “Referring to **FIG. 2A** to **FIG. 3** of the drawings, according to this preferred embodiment, **the inhalation nozzle 14 is detachably mounted with the container 11**, so that the container 11 can be easy to be removed from the inhalation nozzle 14 and the housing 15 for replacing with a new container 11 containing a full amount of the vaporizable material when the vaporizable material in the old container 11 is exhausted. As an alternative mode, the inhalation nozzle 14 may be integrally formed with the container 11 to form an integral structure that is capable of being removed from the housing 15 for replacing with the new container 11.”

	<p>From paragraph [0050] “More specifically, the vaporizer body 10 comprises a container 11 which stores a vaporizable material, an atomizer 12 for being actuated to heat the vaporizable material for generating the inhalable vapor, a power source 13 for providing an electricity power supply to the atomizer 12, a inhalation nozzle 14 for the user to inhale in the inhalable vapor, and a housing 15 which defines a receiving chamber 151 for receiving the power source 13.”</p>
<p>29. The method of claim 28 wherein the chamber is releasably coupled to the power unit.</p>	<p>2. U.S. Pat. Doc. No. US20200178616 “Vaporization Device” (Published June 11 2020).</p> <p>From paragraph [0004] “A vaporization device, or a vaporizer, is used to vaporize a substance for inhalation. A typical vaporization device includes a reservoir for containing a vaporizable material which is a dry-herb, a wax, a oil or a liquid, and a heater which is arranged for being actuated to heat the vaporizable material to generate an inhalable vapor. When the vaporizable material is tobacco, the vaporization device can be an electronic cigarette that simulates the feeling of smoking without actually burning tobacco. The vaporizable material also can be a drug such as nicotine, cannabine, tetrahydrocannabinol, and DMT(N,N-Dimethyltryptamine), so that the vaporization device also can serve as a drug inhalation device for medical use.”</p> <p>Fig 1A/1B</p>

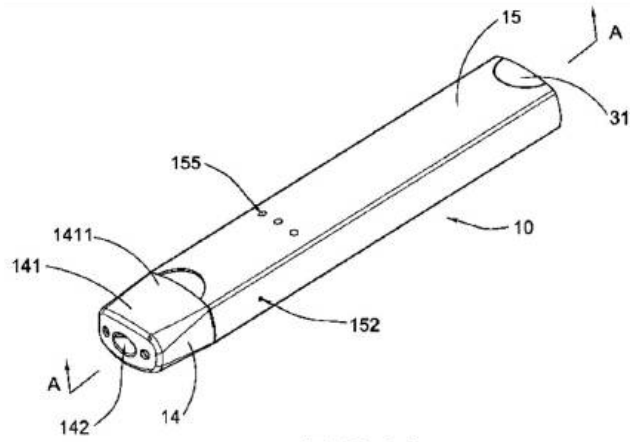


FIG. 1A

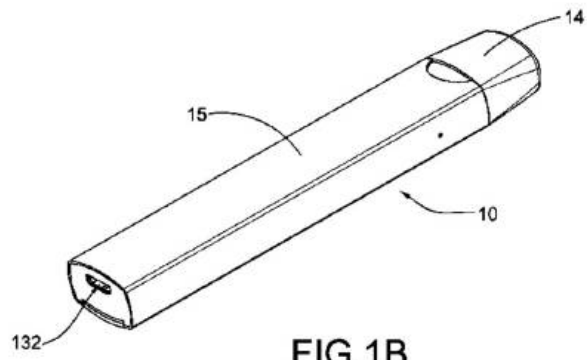
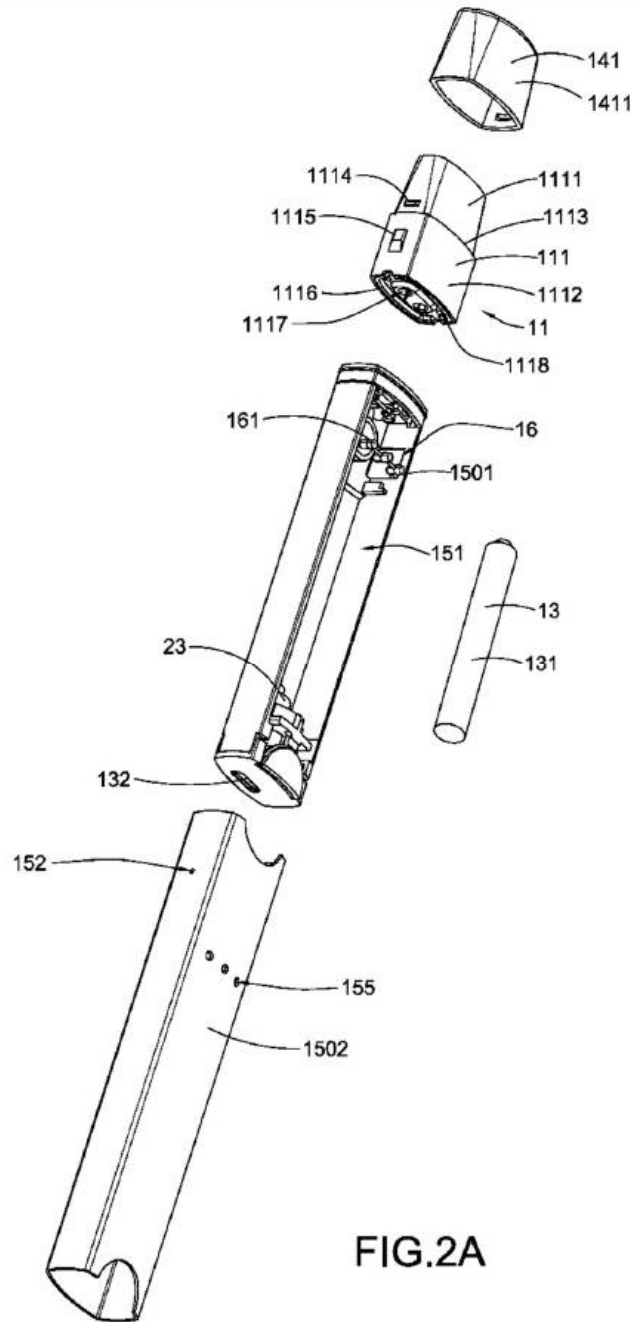


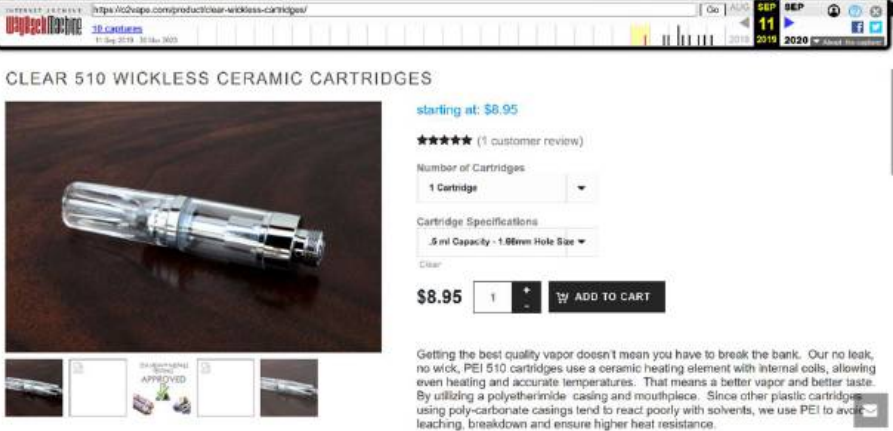
FIG. 1B

Fig 2A



From paragraph [0056] “Referring to FIG. 2A to FIG. 3 of the drawings, according to this preferred embodiment, the inhalation nozzle 14 is detachably mounted with the container 11, so that the container 11 can be easy to be removed from the inhalation nozzle 14 and the housing 15 for replacing with a new container 11 containing a full amount of the vaporizable material when the vaporizable material in the old container 11 is exhausted. As an alternative mode, the inhalation nozzle 14 may be integrally formed with the container 11 to form an integral structure that is capable of being removed from the housing 15 for replacing with the new container 11.”

	<p>From paragraph [0050] “More specifically, the vaporizer body 10 comprises a container 11 which stores a vaporizable material, an atomizer 12 for being actuated to heat the vaporizable material for generating the inhalable vapor, a power source 13 for providing an electricity power supply to the atomizer 12, a inhalation nozzle 14 for the user to inhale in the inhalable vapor, and a housing 15 which defines a receiving chamber 151 for receiving the power source 13.”</p>
<p>31. The method of claim 22 wherein the chamber comprises one or more of a 401, 510, 601, 610, 710, 808, 901, 4081, CE-4, CE-5, E9, or eGo connector.</p>	<p>3. VAPE RANKS “What Is the Battery Threading?” Retrieved from 01 July 2014. URL: https://web.archive.org/web/20140701164301/https://vaperanks.com/what-is-the-battery-threading/</p> <p>From page 1 “Of all the different connector types on the market today, the two most popular ones are the ‘510’ and ‘KR808’. The 510 is generally used on intermediate and advanced vaporizers like the eGo, Provari, VAMO, etc., while the KR808D connection is used by almost all the cigalike brands in the business. The two are not compatible with each other, so before buying any e-cigarette component, check out its threading type.”</p>
<p>32. The method of claim 31 wherein the chamber comprises an eGo connector.</p>	<p>3. VAPE RANKS “What Is the Battery Threading?” Retrieved from 01 July 2014. URL: https://web.archive.org/web/20140701164301/https://vaperanks.com/what-is-the-battery-threading/</p> <p>From page 1 “Of all the different connector types on the market today, the two most popular ones are the ‘510’ and ‘KR808’. The 510 is generally used on intermediate and advanced vaporizers like the eGo, Provari, VAMO, etc., while the KR808D connection is used by almost all the cigalike brands in the business. The two are not compatible with each other, so before buying any e-cigarette component, check out its threading type.”</p>
<p>12. The method of claim 31 wherein the chamber comprises a 510 connector.</p>	<p>3. VAPE RANKS “What Is the Battery Threading?” Retrieved from 01 July 2014. URL: https://web.archive.org/web/20140701164301/https://vaperanks.com/what-is-the-battery-threading/</p> <p>From page 1 “Of all the different connector types on the market today, the two most popular ones are the ‘510’ and ‘KR808’. The 510 is generally used on intermediate and advanced vaporizers like the eGo, Provari, VAMO, etc., while the KR808D connection is used by almost all the cigalike brands in the business. The two are not compatible with each other, so before buying any e-cigarette component, check out its threading type.”</p>

<p>34. The method of claim 22 wherein the chamber is refillable.</p>	<p>2. U.S. Pat. Doc. No. US20200178616 “Vaporization Device” (Published June 11 2020).</p> <p>From paragraph [0153] “In addition, the container 11 of the above preferred embodiment can be a disposable container that when the container 11 is run out of the vaporizable material, a new container 11 which is filled full of the vaporizable material can be assembled into the dosage reminder device. Alternatively, the container 11A may be formed as a refillable container that there is provided with a filling hole so that new vaporizable material can be refilled into the container 11A through the filling hole so that there is no need for replacing with a new container 11A when the vaporizable material in container 11A is exhausted.”</p>
<p>35. The method of claim 22 wherein the chamber is single-use.</p>	<p>2. U.S. Pat. Doc. No. US20200178616 “Vaporization Device” (Published June 11 2020).</p> <p>From paragraph [0153] “In addition, the container 11 of the above preferred embodiment can be a disposable container that when the container 11 is run out of the vaporizable material, a new container 11 which is filled full of the vaporizable material can be assembled into the dosage reminder device. Alternatively, the container 11A may be formed as a refillable container that there is provided with a filling hole so that new vaporizable material can be refilled into the container 11A through the filling hole so that there is no need for replacing with a new container 11A when the vaporizable material in container 11A is exhausted.”</p>
<p>36. The method of claim 23 wherein the chamber is transparent to permit visualization of levels of the vaporizable formulation.</p>	<p>4. O2VAPE “Clear 510 Wickless Ceramic Cartridges” Retrieved from 11 September 2019. URL: https://web.archive.org/web/20190911045236/https://o2vape.com/product/clear-wickless-cartridges/</p> <p>From PDF page 1</p>  <p>CLEAR 510 WICKLESS CERAMIC CARTRIDGES</p> <p>starting at: \$8.95</p> <p>★★★★★ (1 customer review)</p> <p>Number of Cartridges: 1 Cartridge</p> <p>Cartridge Specifications: .5 ml Capacity - 1.66mm Hole Size</p> <p>Clear</p> <p>\$8.95 <input type="button" value="1"/> <input type="button" value="ADD TO CART"/></p> <p>Getting the best quality vapor doesn't mean you have to break the bank. Our no leak, no wick, PEI 510 cartridges use a ceramic heating element with internal coils, allowing even heating and accurate temperatures. That means a better vapor and better taste. By utilizing a polyetherimide casing and mouthpiece. Since other plastic cartridges using poly-carbonate casings tend to react poorly with solvents, we use PEI to avoid leaching, breakdown and ensure higher heat resistance.</p> <p>These 510 wickless cartridges feature a .5ml volume and a 1.66mm intake hole.</p>
<p>37. The method of claim 21 wherein the</p>	<p>2. U.S. Pat. Doc. No. US20200178616 “Vaporization Device” (Published June 11 2020).</p>

<p>ayahuasca-like substance or vaporizable formulation comprises one or more of dimethyltryptamine, a monoamine oxidase inhibitor, 5-methoxy-N, N-dimethyltryptamine, or 2-5-dimethoxy-4-bromophenethylamine.</p>	<p>From paragraph [0004] “A vaporization device, or a vaporizer, is used to vaporize a substance for inhalation. A typical vaporization device includes a reservoir for containing a vaporizable material which is a dry-herb, a wax, a oil or a liquid, and a heater which is arranged for being actuated to heat the vaporizable material to generate an inhalable vapor. When the vaporizable material is tobacco, the vaporization device can be an electronic cigarette that simulates the feeling of smoking without actually burning tobacco. The vaporizable material also can be a drug such as nicotine, cannabine, tetrahydrocannabinol, and DMT(N,N-Dimethyltryptamine), so that the vaporization device also can serve as a drug inhalation device for medical use.”</p>
<p>38. The method of claim 37 wherein the ayahuasca-like substance comprises dimethyltryptamine.</p>	<p>2. U.S. Pat. Doc. No. US20200178616 “Vaporization Device” (Published June 11 2020).</p> <p>From paragraph [0004] “A vaporization device, or a vaporizer, is used to vaporize a substance for inhalation. A typical vaporization device includes a reservoir for containing a vaporizable material which is a dry-herb, a wax, a oil or a liquid, and a heater which is arranged for being actuated to heat the vaporizable material to generate an inhalable vapor. When the vaporizable material is tobacco, the vaporization device can be an electronic cigarette that simulates the feeling of smoking without actually burning tobacco. The vaporizable material also can be a drug such as nicotine, cannabine, tetrahydrocannabinol, and DMT(N,N-Dimethyltryptamine), so that the vaporization device also can serve as a drug inhalation device for medical use.”</p>
<p>39. The method of claim 37 wherein the ayahuasca-like substance comprises an isotopomer or isotopologue of one or more of dimethyltryptamine, a monoamine oxidase inhibitor, 5-methoxy-N,N-dimethyltryptamine, or 2-5-dimethoxy-4-bromophenethylamine.</p>	<p>5. Intl. Pat. Doc. No. WO2020157569 “METHODS AND COMPOSITIONS COMPRISING A 5HT RECEPTOR AGONIST FOR THE TREATMENT OF PSYCHOLOGICAL, COGNITIVE, BEHAVIORAL, AND/OR MOOD DISORDERS” (Filed 29 January 2020; Published 6 August 2020)</p> <p>From paragraph [42] “Any suitable 5HT (e.g.5HT2, such as 5-HT2A) agonist is utilized in any composition, formulation, method, therapy, or the like described herein. In some preferred embodiments, the 5HT agonist of a formulation, composition, method, or the like described herein is a 5-HT2A agonist.... In some instances, 5HT2A agonists increase dopamine levels in the prefrontal cortex. In certain embodiments, the 5-HT2A agonist provided herein is one of the following classes of 5-HT2A agonists: the ergolines, tryptamines and phenethylamines. In specific embodiments, a 5HT (e.g.5HT2A) receptor agonist utilized herein is an ergoline”</p> <p>From paragraph [48]</p>

[48] Examples of naturally occurring substituted tryptamines include, by way of non-limiting example:

Short/Common Name	Full Name	R ¹	R ²	R ³	R ⁴	R ⁵
Tryptamine	3-(2-aminoethyl)indole	H	H	H	H	H
Bufotenin	2-(1H-indol-3-yl)ethanamine	OH	H	H	CH ₃	CH ₃
No-Methylserotonin (norbufotenin)	5-hydroxy-N-methyltryptamine	OH	H	H	CH ₃	H
Serotonin	5-hydroxytryptamine	OH	H	H	H	H
NMT	N-methyltryptamine	H	H	H	H	CH ₃
5-MeO-NMT	5-methoxy-N-methyltryptamine	OCH ₃	H	H	CH ₃	H
DMT	N,N-dimethyltryptamine	H	H	H	CH ₃	CH ₃
5-Bromo-DMT	5-bromo-N,N-dimethyltryptamine	Br	H	H	CH ₃	CH ₃
5-MeO-DMT	5-methoxy-N,N-dimethyltryptamine	OCH ₃	H	H	CH ₃	CH ₃
Melatonin	5-methoxy-N-acetyltryptamine	OCH ₃	H	H	C(O)CH ₃	H
N-Acetylserotonin	5-hydroxy-N-acetyltryptamine	OH	H	H	C(O)CH ₃	H
Norbaeocystin	4-phosphoryloxy-tryptamine	H	OPO ₃ H ₂	H	H	H
Baeocystin	4-phosphoryloxy-N-methyltryptamine	H	OPO ₃ H ₂	H	CH ₃	H
Psilocybin	4-phosphoryloxy-N,N-dimethyltryptamine	H	PO ₄	H	CH ₃	CH ₃
Psilocin	4-hydroxy-N,N-dimethyltryptamine	H	OH	H	CH ₃	CH ₃
Tryptophan	α -carboxyltryptamine	H	H	COOH	H	H

From paragraph [229] “The term “5HT receptor agonist agent” refers to a 5HT receptor agonist as a free base or a derivative or analog thereof. Included in the term are salts, solvates, metabolites, prodrugs, **isomers**, tautomers, **isotopic derivatives**, and the like, of a 5HT receptor agonist. In some embodiments, the derivative, analogs, salts, solvates, metabolites, prodrugs, isomers, tautomers, isotopic derivatives, etc are pharmaceutically acceptable derivative, analogs, salts, solvates, metabolites, prodrugs, isomers, tautomers, isotopic derivatives of a 5HT receptor agonist.”

From paragraph [205] “In some embodiments, the pharmaceutical composition is an oral formulation, a buccal formulation, a nasal formulation, or an inhalation formulation. In some embodiments, the pharmaceutical composition is in a form selected from a spray, aerosol, mist, nebulae, ointment, cream, gel, paste, salve, solution, suspension, tincture, patch, and **atomized vapor**.”

From paragraph [239] “In one aspect, **substitution with isotopes such as deuterium** affords certain therapeutic advantages resulting from greater metabolic stability, such as, for example, increased in vivo half-life or reduced dosage requirements. In some embodiments, **one or more hydrogen atoms of the compounds described herein is replaced with deuterium**.”

40. The method of claim 39 wherein the isotopomer or

5. Intl. Pat. Doc. No. WO2020157569 “METHODS AND COMPOSITIONS COMPRISING A 5HT RECEPTOR AGONIST FOR THE TREATMENT OF PSYCHOLOGICAL, COGNITIVE,

isotopologue comprises deuterium.

BEHAVIORAL, AND/OR MOOD DISORDERS” (Filed 29 January 2020; Published 6 August 2020)

From **paragraph [42]** “Any suitable 5HT (e.g.5HT2, such as 5-HT2A) agonist is utilized in any composition, formulation, method, therapy, or the like described herein. In some preferred embodiments, the 5HT agonist of a formulation, composition, method, or the like described herein is a 5-HT2A agonist.... In some instances, 5HT2A agonists increase dopamine levels in the prefrontal cortex. In certain embodiments, **the 5-HT2A agonist provided herein is one of the following classes of 5-HT2A agonists:** the ergolines, **tryptamines** and phenethylamines. In specific embodiments, a 5HT (e.g.5HT2A) receptor agonist utilized herein is an ergoline”

From **paragraph [48]**

[48] Examples of naturally occurring substituted tryptamines include, by way of non- limiting example:

Short/Common Name	Full Name	R ¹	R ²	R ³	R ⁴	R ⁵
Tryptamine	3-(2-aminoethyl)indole	H	H	H	H	H
Bufotenin	2-(1H-indol-3-yl)ethanamine					
	5-hydroxy- <i>N,N</i> -dimethyltryptamine	OH	H	H	CH ₃	CH ₃
No-Methylserotonin (norbufotenin)	5-hydroxy- <i>N</i> -methyltryptamine	OH	H	H	CH ₃	H
Serotonin	5-hydroxytryptamine	OH	H	H	H	H
NMT	<i>N</i> -methyltryptamine	H	H	H	H	CH ₃
5-MeO-NMT	5-methoxy- <i>N</i> -methyltryptamine	OCH ₃	H	H	CH ₃	H
DMT	<i>N,N</i> -dimethyltryptamine	H	H	H	CH ₃	CH ₃
5-Bromo-DMT	5-bromo- <i>N,N</i> -dimethyltryptamine	Br	H	H	CH ₃	CH ₃
5-MeO-DMT	5-methoxy- <i>N,N</i> -dimethyltryptamine	OCH ₃	H	H	CH ₃	CH ₃
Melatonin	5-methoxy- <i>N</i> -acetyltryptamine	OCH ₃	H	H	C(O)CH ₃	H
N-Acetylserotonin	5-hydroxy- <i>N</i> -acetyltryptamine	OH	H	H	C(O)CH ₃	H
Norbaeocystin	4-phosphoryloxy-tryptamine	H	OPO ₃ H ₂	H	H	H
Baeocystin	4-phosphoryloxy- <i>N</i> -methyltryptamine	H	OPO ₃ H ₂	H	CH ₃	H
Psilocybin	4-phosphoryloxy- <i>N,N</i> -dimethyltryptamine	H	PO ₄	H	CH ₃	CH ₃
Psilocin	4-hydroxy- <i>N,N</i> -dimethyltryptamine	H	OH	H	CH ₃	CH ₃
Tryptophan	α -carboxyltryptamine	H	H	COOH	H	H

From **paragraph [229]** “The term “5HT receptor agonist agent” refers to a 5HT receptor agonist as a free base or a derivative or analog thereof. Included in the term are salts, solvates, metabolites, prodrugs, **isomers**, tautomers, **isotopic derivatives**, and the like, of a 5HT receptor agonist. In some embodiments, the derivative, analogs, salts, solvates, metabolites, prodrugs, isomers, tautomers, isotopic derivatives, etc are pharmaceutically acceptable derivative, analogs, salts, solvates, metabolites, prodrugs, isomers, tautomers, isotopic derivatives of a 5HT receptor agonist.”

From **paragraph [205]** “In some embodiments, the pharmaceutical composition is an oral formulation, a buccal formulation, a nasal formulation, or an inhalation formulation. In some embodiments, the pharmaceutical composition is in a form selected from a spray, aerosol, mist,

nebulae, ointment, cream, gel, paste, salve, solution, suspension, tincture, patch, and **atomized vapor.**”

From **paragraph [239]** “In one aspect, **substitution with isotopes such as deuterium** affords certain therapeutic advantages resulting from greater metabolic stability, such as, for example, increased in vivo half-life or reduced dosage requirements. In some embodiments, **one or more hydrogen atoms of the compounds described herein is replaced with deuterium.**”

41. The method of claim 39 wherein ayahuasca-like substance is dimethyltryptamine comprising deuterium.

5. Intl. Pat. Doc. No. WO2020157569 “METHODS AND COMPOSITIONS COMPRISING A 5HT RECEPTOR AGONIST FOR THE TREATMENT OF PSYCHOLOGICAL, COGNITIVE, BEHAVIORAL, AND/OR MOOD DISORDERS” (Filed 29 January 2020; Published 6 August 2020)

From **paragraph [42]** “Any suitable 5HT (e.g.5HT2, such as 5-HT2A) agonist is utilized in any composition, formulation, method, therapy, or the like described herein. In some preferred embodiments, the 5HT agonist of a formulation, composition, method, or the like described herein is a 5-HT2A agonist.... In some instances, 5HT2A agonists increase dopamine levels in the prefrontal cortex. In certain embodiments, **the 5-HT2A agonist provided herein is one of the following classes of 5-HT2A agonists:** the ergolines, **tryptamines** and phenethylamines. In specific embodiments, a 5HT (e.g.5HT2A) receptor agonist utilized herein is an ergoline”

From **paragraph [48]**

[48] Examples of naturally occurring substituted tryptamines include, by way of non- limiting example:

Short/Common Name	Full Name	R ¹	R ²	R ³	R ⁴	R ⁵
Tryptamine	3-(2-aminoethyl)indole	H	H	H	H	H
Bufotenin	2-(1H-indol-3-yl)ethanamine	H	H	H	H	H
5-hydroxy- <i>N,N</i> -dimethyltryptamine		OH	H	H	CH ₃	CH ₃
No-Methylserotonin (norbufotenin)	5-hydroxy- <i>N</i> -methyltryptamine	OH	H	H	CH ₃	H
Serotonin	5-hydroxytryptamine	OH	H	H	H	H
NMT	<i>N</i> -methyltryptamine	H	H	H	H	CH ₃
5-MeO-NMT	5-methoxy- <i>N</i> -methyltryptamine	OCH ₃	H	H	CH ₃	H
DMT	<i>N,N</i> -dimethyltryptamine	H	H	H	CH ₃	CH ₃
3-Bromo-DMT	3-bromo- <i>N,N</i> -dimethyltryptamine	Br	H	H	CH ₃	CH ₃
5-MeO-DMT	5-methoxy- <i>N,N</i> -dimethyltryptamine	OCH ₃	H	H	CH ₃	CH ₃
Melatonin	5-methoxy- <i>N</i> -acetyltryptamine	OCH ₃	H	H	C(O)CH ₃	H
<i>N</i> -Acetylserotonin	5-hydroxy- <i>N</i> -acetyltryptamine	OH	H	H	C(O)CH ₃	H
Norbaeocystin	4-phosphoryloxy-tryptamine	H	OPO ₃ H ₂	H	H	H
Baeocystin	4-phosphoryloxy- <i>N</i> -methyltryptamine	H	OPO ₃ H ₂	H	CH ₃	H
Psilocybin	4-phosphoryloxy- <i>N,N</i> -dimethyltryptamine	H	PO ₄	H	CH ₃	CH ₃
Psilocin	4-hydroxy- <i>N,N</i> -dimethyltryptamine	H	OH	H	CH ₃	CH ₃
Tryptophan	α -carboxyltryptamine	H	H	COOH	H	H

	<p>From paragraph [229] “The term “5HT receptor agonist agent” refers to a 5HT receptor agonist as a free base or a derivative or analog thereof. Included in the term are salts, solvates, metabolites, prodrugs, isomers, tautomers, isotopic derivatives, and the like, of a 5HT receptor agonist. In some embodiments, the derivative, analogs, salts, solvates, metabolites, prodrugs, isomers, tautomers, isotopic derivatives, etc are pharmaceutically acceptable derivative, analogs, salts, solvates, metabolites, prodrugs, isomers, tautomers, isotopic derivatives of a 5HT receptor agonist.”</p> <p>From paragraph [205] “In some embodiments, the pharmaceutical composition is an oral formulation, a buccal formulation, a nasal formulation, or an inhalation formulation. In some embodiments, the pharmaceutical composition is in a form selected from a spray, aerosol, mist, nebulae, ointment, cream, gel, paste, salve, solution, suspension, tincture, patch, and atomized vapor.”</p> <p>From paragraph [239] “In one aspect, substitution with isotopes such as deuterium affords certain therapeutic advantages resulting from greater metabolic stability, such as, for example, increased in vivo half-life or reduced dosage requirements. In some embodiments, one or more hydrogen atoms of the compounds described herein is replaced with deuterium.”</p>
<p>42. The method of claim 21 wherein the vaporizable formulation comprises one or more of propylene glycol (PG), vegetable glycerin (VG), or polyethylene glycol (PEG).</p>	<p>6. Reddit user iaagm “eCig DMT: A Comprehensive Guide” Published 26 July 2016. URL: https://www.reddit.com/r/DMT/comments/4ut5zw/ecig_dmt_a_comprehensive_guide/</p> <p>From PDF page 2 “I've had tremendous success vaping DMT in an eCig device, and I honestly think this is the most foolproof ROI available. Here's an in-depth guide on how it's done”</p> <p>From PDF page 2 “The basic components of eCig juice are Propylene Glycol and Vegetable Glycerin, plus flavorings and (possibly) nicotine.”</p> <p>From PDF page 2 “I highly recommend thoroughly testing your setup using a juice with the same VG/PG ratio (see next section) that you'll be using for your DMT juice.”</p> <p>From PDF page 2 “For the purpose of vaping DMT, I recommend somewhere between 50 and 70% VG. I've found that DMT dissolves better in PG, so a Max VG juice is not ideal, but a juice that is more PG than VG will be much more prone to leakage (not an issue if you're using an RDA), and VG can increase the viscosity of the juice enough to avoid this.”</p>



UNITED STATES
PATENT AND TRADEMARK OFFICE

P.O. Box 1450
Alexandria, VA 22313 - 1450
www.uspto.gov

ELECTRONIC ACKNOWLEDGEMENT RECEIPT

APPLICATION #
17/555,763

RECEIPT DATE / TIME
06/12/2024 05:59:43 PM Z ET

ATTORNEY DOCKET #

Title of Invention

Application Information

APPLICATION TYPE

PATENT #

CONFIRMATION #

FILED BY Shahin Shams

PATENT CENTER # 65942519

FILING DATE 12/20/2021

CUSTOMER # -

FIRST NAMED
INVENTOR

CORRESPONDENCE
ADDRESS -

AUTHORIZED BY -

Documents

TOTAL DOCUMENTS: 15

DOCUMENT	PAGES	DESCRIPTION	SIZE (KB)
Third-party-notification-request.pdf	1	Request for Notification of Non-compliant Third-Party Submission	14 KB
third-party-preissuance-submission.pdf	2	Third-Party Submission Under 37 CFR 1.290	64 KB
Concise-description-generated.pdf	2	Concise Description of Relevance	34 KB
Chart_US20220111158.pdf	32	-	471 KB
Chart_US20220111158-3P.RELEVANCE.pdf	(1-32) 32	Concise Description of Relevance	471 KB
Chart_US20220111158-	(1-32) 32	Concise Description of	471 KB

3P.RELEVANCE.pdf			Relevance	
Chart_US20220111158-3P.RELEVANCE.pdf	(1-32)	32	Concise Description of Relevance	471 KB
Chart_US20220111158-3P.RELEVANCE.pdf	(1-32)	32	Concise Description of Relevance	471 KB
Chart_US20220111158-3P.RELEVANCE.pdf	(1-32)	32	Concise Description of Relevance	471 KB
Chart_US20220111158-3P.RELEVANCE.pdf	(1-32)	32	Concise Description of Relevance	471 KB
Chart_US20220111158-3P.RELEVANCE.pdf	(1-32)	32	Concise Description of Relevance	471 KB
1_BLACK.pdf		12	-	3934 KB
1_BLACK-NPL.pdf	(1-12)	12	Non Patent Literature	3955 KB
3_VAPERANKS.pdf		2	-	826 KB
3_VAPERANKS-NPL.pdf	(1-2)	2	Non Patent Literature	865 KB
4_O2VAPE.pdf		1	-	2676 KB
4_O2VAPE-NPL.pdf	(1-1)	1	Non Patent Literature	2688 KB
5_WO2020157569A1.pdf		139	-	10206 KB
5_WO2020157569A1-FOR.pdf	(1-139)	139	Foreign Reference	10186 KB
6_IAAGM.pdf		5	-	594 KB
6_IAAGM-NPL.pdf	(1-5)	5	Non Patent Literature	715 KB

Digest

DOCUMENT	MESSAGE DIGEST(SHA-512)
Third-party-notification-request.pdf	AC5398AA3B013251D8B851853BB77377F4EA1E2B1275C22A40A97BC7FD15CBF4540957CFFA27A219C6A41DEEF206B92B902AA93C2E53C9BB8A58A2F54A7B46DF
third-party-preissuance-submission.pdf	7E31A8AFDFC673455142621BB6904C683A5BE29B300866F02C790ED642DA0A7D831147DB9D9C2DEFDF972BC17C1F0D34E40367C30413DB76C7EB804BDCC1021B
Concise-description-generated.pdf	1A147F386D6449949CFE7CA76E939C555ACDF00698EFC9C47B0E1E170F328C7A58C2A31EFE314A770EA0FE4E4A9E6C77791DAA85BBA2AA8813ECD8093620BAFE
Chart_US20220111158.pdf	FE09F310074B4B9C8DFE5FDBE36222A15DD3ADF6DB7D4949FA9AC1C10EDECA2B188D3997727911134562025CBFFE9C26EC7CFE5F867FAF3EC18E44D8D85FDEB6
Chart_US20220111158-3P.RELEVANCE.pdf	6AEEE60FD37085FB23BF7817E9DAD2BF4BA085088EFA4E3C8D984E23C6789F9DB289B6488643966C7CA3E9D64599DF02D768D22DB28501AD8D49986A1ABCC544
Chart_US20220111158-3P.RELEVANCE.pdf	48D0750A2B934341C1F7E9A50BECDF0010C50E6F6017EF57C162806BDC9136DE5A640AECEC2370D9538E80E6966AC409B88C536DCDF938C499BE670DDF00C4C
Chart_US20220111158-3P.RELEVANCE.pdf	F17921C99455190BBA297EB93B3236D9C5CA9627D546084135E9A7297F94A76F32FDC94DE0A7A2B1895F42C0BDAB7EDDBE8D88CB548EDB036176EACB7532371C
Chart_US20220111158-3P.RELEVANCE.pdf	9AAABF1E29123E4FFDA46A160C4B25EE05172DBFB6A6A661BA79DBEC65CA78AD1640FBF0CA74D094372AC587DD8E884ACC9D5D709CB0B132C3BD4588464C6419
Chart_US20220111158-3P.RELEVANCE.pdf	EE78AF6F45D1C876E300C2FC4BBBDBEA94201F927F5F607D04F1141C3F48F67DD96A9DA596C4184A62B22A91F541D94D2D8D0C6A49E576719A9853ABC95C1412

Chart_US20220111158-3P.RELEVANCE.pdf	69C11B4B8955F9C1F4313B73FF8873BAF7D468BFEA95D9BD0429103A6589D7C104DE80E82791160B7D1AB53065EB5E988F53EFC3E6001C3A135CA2DA38C6B457
Chart_US20220111158-3P.RELEVANCE.pdf	1D33A5E9FEC4DEC04B4FCFFEAD5DE81C421A3F660DB3620CC6211E06B3484FAFA6CDFAF548473F8D990FC526134C1D9C370C14D77ABFD56551839032F6C98059
1_BLACK.pdf	F1226002F2F62C0706979FC92F79A163EC11272AF1AE010B1E5B6C469CA665B5E1913B0E631CD8392219F40D1E947D9A075BF740195CA4C5FB0CE70EFF499592
1_BLACK-NPL.pdf	685E85071639BF797B562F4903162DF3ED5800E5C5A2D4CAB02D64049640E79EEF0B89533F81F88600784C4A698F7AAE75779CAD0DDE6800C0297EF878BBC50C
3_VAPERANKS.pdf	8C2D349436BF7BD9F0A34C550BA38C59A7FAD711716A72538F39B8EE5A0D62493ACCB19C47E7BAF5A34066DC6E0944C70729E7BF0F0A96DB1F32BB2FF1C4F088
3_VAPERANKS-NPL.pdf	23237E4B8A8CD215EC46F57D8BCFBECDA26A31D4E3351098E32474B31AE81FE8152DC7CA4A7042C9A809EA072396434315B9328E3008CABC8A6BA5541B00AAD8
4_O2VAPE.pdf	092EF3DC4F19E8DD030A29466AE0411B495173C631CBA425CE125EA9236821AF554077D80814526DA546B575D40A197A02E0134755F7A9B3792476A1BAEAC49C
4_O2VAPE-NPL.pdf	49EE6F7B1C1CAA8D70928EBFDB50454EEE1B67820F3B607A7F7B30E7765CE2EA762881691BB7BE399ABE22F7973E83520EAE4BC429BF637DA38DD5DA2B251BF5
5_WO2020157569A1.pdf	1E69FE39E21FF670307EC3F83BE77C542FCEAC22B34F0A1DF4088DBE563B0C58108411FB8E3578C65626424E4BF745701B2EE4273D6EAC303C0CE1114C732E61
5_WO2020157569A1-FOR.pdf	556F38DD10B6EF6A47757481F957ED1F6E86119E0CD6E895D01462B6B7C38E9C97ACF9077225B8391A709EAABC4C0452D6C00E493C0D9F25C7FFBBBBBE68F10E0

6_IAAGM.pdf	BDADF9F0684646E240BA2FA4894718B9F6CC9710A327AAB00 3152FF982C7BFB9FF3721B6E670D9324D4240336C1FBBC5574 82519518E6B8A0EB8C9D27EA6C967
6_IAAGM-NPL.pdf	E5087A636B33667CE00E2AB7BF721ADF580AA22B03E3B06A8 A34A050FDD6D97710131BA0627AC544E05710D727D83D64DA 1BBD139D811DFA7EB43F40AC7A09EA

This Acknowledgement Receipt evidences receipt on the noted date by the USPTO of the indicated documents, characterized by the applicant, and including page counts, where applicable. It serves as evidence of receipt similar to a Post Card, as described in MPEP 503.

New Applications Under 35 U.S.C. 111

If a new application is being filed and the application includes the necessary components for filing date (see 37 CFR 1.53(b)-(d) and MPEP 506), a Filing Receipt (37 CFR 1.54) will be issued in due course and the date shown on this Acknowledgement Receipt will establish the filing date of the application

National Stage of an International Application under 35 U.S.C. 371

If a timely submission to enter the national stage of an international application is compliant with the conditions of 35 U.S.C. 371 and other applicable requirements a Form PCT/DO/EO/903 indicating acceptance of the application as a national stage submission under 35 U.S.C. 371 will be issued in addition to the Filing Receipt, in due course.

New International Application Filed with the USPTO as a Receiving Office

If a new international application is being filed and the international application includes the necessary components for an international filing date (see PCT Article 11 and MPEP 1810), a Notification of the International Application Number and of the International Filing Date (Form PCT/RO/105) will be issued in due course, subject to prescriptions concerning national security, and the date shown on this Acknowledgement Receipt will establish the international filing date of the application.



UNITED STATES
PATENT AND TRADEMARK OFFICE

P.O. Box 1450
Alexandria, VA 22313 - 1450
www.uspto.gov

ELECTRONIC PAYMENT RECEIPT

APPLICATION # 17/555,763	RECEIPT DATE / TIME 06/12/2024 05:59:43 PM Z ET	ATTORNEY DOCKET #
------------------------------------	---	-------------------

Title of Invention

Application Information

APPLICATION TYPE	PATENT #
CONFIRMATION #	FILED BY Shahin Shams
PATENT CENTER # 65942519	AUTHORIZED BY -
CUSTOMER # -	FILING DATE 12/20/2021
CORRESPONDENCE ADDRESS -	FIRST NAMED INVENTOR

Payment Information

PAYMENT METHOD CARD / 3851	PAYMENT TRANSACTION ID E20246BI01066112	PAYMENT AUTHORIZED BY Shahin Shams
-------------------------------	--	---------------------------------------

FEE CODE	DESCRIPTION	ITEM PRICE(\$)	QUANTITY	ITEM TOTAL(\$)
2818	DOCUMENT FEE FOR THIRD-PARTY SUBMISSIONS (SEE 37 CFR 1.290(F))	72.00	1	72.00
			TOTAL AMOUNT:	\$72.00

This Acknowledgement Receipt evidences receipt on the noted date by the USPTO of the indicated documents, characterized by the applicant, and including page counts, where applicable. It serves as evidence of receipt similar to a Post Card, as described in MPEP 503.

New Applications Under 35 U.S.C. 111

If a new application is being filed and the application includes the necessary components for filing date (see 37 CFR 1.53(b)-(d) and MPEP 506), a Filing Receipt (37 CFR 1.54) will be issued in due course and the date shown on this Acknowledgement Receipt will establish the filing date of the application

National Stage of an International Application under 35 U.S.C. 371

If a timely submission to enter the national stage of an international application is compliant with the conditions of 35 U.S.C.

371 and other applicable requirements a Form PCT/DO/EO/903 indicating acceptance of the application as a national stage submission under 35 U.S.C. 371 will be issued in addition to the Filing Receipt, in due course.

New International Application Filed with the USPTO as a Receiving Office

If a new international application is being filed and the international application includes the necessary components for an international filing date (see PCT Article 11 and MPEP 1810), a Notification of the International Application Number and of the International Filing Date (Form PCT/RO/105) will be issued in due course, subject to prescriptions concerning national security, and the date shown on this Acknowledgement Receipt will establish the international filing date of the application.